

Verification Statement



Hydro International Up-Flo® Filter with CPZ™ Media Registration number: (V-2019-06-01) Date of issue: (2020-May-13)

Technology type	Stormwater Filtration Device		
Application	Technology to remove sediment, nutrients and metals from stormwater runoff		
Company	Hydro International	Website	https://www.hydro-int.com
Address	94 Hutchins Drive, Portland, Maine USA 04102		
E-mail	TechSupport@hydro-int.com	Phone	+1 (207) 756 6200

This Verification Statement was prepared by VerifiGlobal to summarize the results reported in the Verification Report for the Hydro International Up-Flo® Filter with CPZ™ Media, dated November 26, 2019. The Verification Report was prepared by Good Harbour Laboratories Inc. (GHL) for VerifiGlobal in accordance with the requirements of the International Organization for Standardization (ISO) 14034 Environmental Technology Verification (ETV) standard and the VerifiGlobal Performance Verification Protocol. All the information provided in this Statement are based on the independent, third-party review and verification of technical information, performance test reports, performance data and specific performance claims documented in the Verification Report.

Technology Description

The [Up-Flo® Filter with CPZ™ Media](#) is a stormwater remedial device that incorporates gravitational separation of floating and settling materials, screening, and filtration of polluted stormwater to offer treatment train capabilities in a standalone device. Each Up-Flo® Filter consists of a highly configurable array of modules that are typically supplied as a complete system housed in a 4-ft (1.2 m) diameter manhole or precast vault. Manhole configurations consist of a single ring assembly containing one to six modules. Vaulted systems are highly configurable and may contain single or multiple arrays each consisting of one to 18 Filter Modules depending on availability of vault sizes.

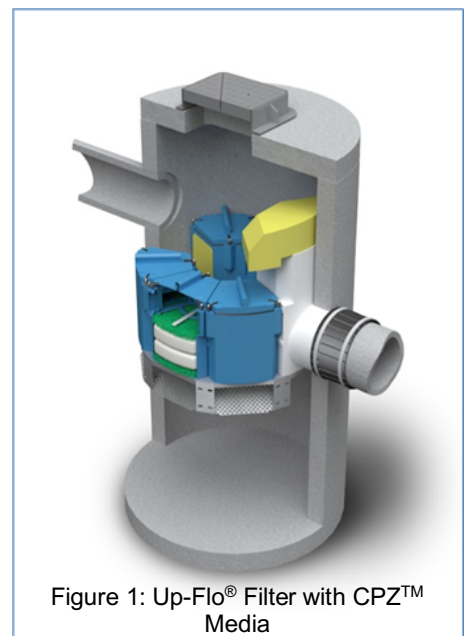


Figure 1: Up-Flo® Filter with CPZ™ Media



**Hydro International Up-Flo® Filter with CPZ™ Media
Verification Statement**

Verified Performance Claims

Verification of the Hydro International Up-Flo® Filter with CPZ™ Media is based on existing performance test data from two different locations with different rainfall characteristics, catchment areas and pollutant loadings. Supporting data were obtained from three independent performance monitoring studies. One was conducted by Engineering School of Sustainable Infrastructure and Environment (ESSIE) at the University of Florida (UF) under the supervision of Dr. John Sansalone and two were conducted by Department of Civil, Construction, and Environmental Engineering (CCEE) at the University of Alabama (UA) under the supervision of Dr. Bob Pitt.

All three studies performance monitoring studies were conducted following the requirements of the New Jersey Department of Environmental Protection (NJDEP) Technology Acceptance Reciprocity Partnership (TARP) Tier II Protocol for Stormwater Best Management Practice Demonstrations (2003) and its 2006 and 2009 amendments. In total, there were 66¹ storms assessed to verify that an Up-Flo® Filter with CPZ™ Media achieves the performance listed in Tables 1 and 2, when designed to the following parameters:

- System hydraulic loading rate of 25 gpm (1.58 L/s) per filter module, with bypass of higher flows.
- Filter flux rate of 22.7 gpm/ft² (15.4 L/s/m²)
- Operating head of ≤30 in. (76.2 cm)
- Effective Sedimentation/ Filtration Treatment Area (ESA/EFTA) –12.6/6.6 (1.91)
- Maximum sediment storage volume of 16.8 ft³ (0.476 m³) at a sediment depth of 16 inches (0.41m).

Table 1. Up-Flo® Filter with CPZ™ Media – Verified Concentration Removal Efficiency

Constituent	Lower 95% Confidence Interval	Median	Upper 95% Confidence Interval
SSC *	85.9%	92.8%	94.7%
SSC **	73.9%	82.8%	86.3%
TSS *	79.0%	89.2%	91.0%
TSS **	72.0%	78.3%	85.2%
TN *	9.0%	28.5%	64.7%
TP *	33.8%	43.9%	50.9%
Zn **	39.4%	50.0%	62.1%
Cu **	72.6%	80.7%	85.2%

* Based on ESSIE (UF) Performance monitoring results
 ** Based on CCEE (UA) Performance monitoring results

Table 2. Up-Flo® Filter with CPZ™ Media – Verified Flow Weighted Mass Removal Efficiency

Constituent	ESSIE (UF) Performance monitoring results		CCEE (UA) Performance monitoring results
	6-month	12-month	12-month
SSC	93%	92%	86%
TSS*	89%	87%	87%
TN **	68%	39%	***
TP **	48%	48%	***
Zn	***	***	59%
Cu	***	***	70%

* TSS results for UF are a function of SSC.
 ** TN and TP load data was time dependent after 6-months
 *** No data submitted

¹Of the total 66 storms (16 storms from UF and 50 storms from UA), 62 were identified as qualifying events having quality data for TSS, and 59 for SSC. Fewer events with metals detected in the runoff limited the metals data sets. There were a total of 28 and 17 storms for Zn and Cu, respectively, solely from the UA data. Total Nitrogen and Total Phosphorous claims were based on the 16 storms recorded solely from the UF data.



Description of Test Procedure

Table 3 shows the target criteria as outlined by the TARP and TAPE programs as well as the results achieved at the two locations. Table 4 provides a more detailed description of the observed operating conditions over the testing period. At the time of testing, the TARP and TAPE programs both allowed for field testing data to be used to obtain certification in participating states. They were the most widely used protocols and were generally accepted as industry standards. The TARP program has since stopped accepting field data, but the TAPE program remains in effect and is currently referenced to benchmark the quality of data obtained from stormwater monitoring programs.

Table 3. Up-Flo® Filter with CPZ™ Media Performance Testing - Specified TARP & TAPE criteria, and achieved results, for storm selection and sampling

Description	TARP Criteria	TAPE Criteria	Achieved value	
			ESSIE - UF	CCEE - UA
Total rainfall/storm	≥2.5 mm (0.1")	≥3.81 mm (0.15")	>2.5 mm (0.1")	≥4.6 mm (0.18")
Minimum inter-event period	6 h	6 h	≥ 6 h	≥ 6 h
Minimum flow-weighted composite sample storm coverage	70% including as much of the first 20% of the storm	75% including as much of the first 20% of the storm	100%	87.6%
Minimum influent/effluent samples	10, but a minimum of 5 subsamples for composite samples	12, but a minimum of 10 subsamples for composite samples	5, whole manual samples	11
Total sampled rainfall	≥ 381 mm (15")	NA	195 mm (7.66")	765 mm (30.07")
Total sampled storms	≥ 20	≥ 12	16	29

Table 4. Up-Flo® Filter with CPZ™ Media Performance Testing - Observed operational conditions for events monitored over each performance test period

Operating parameter	Observed range	
	ESSIE - UF	CCEE - UA Total*
Storm duration	0.35-5.78 h	0.67-64.7 h
Previous dry hours**	6-213	> 6 hrs for the 20 storms in 1 st study and 12-632 hrs for 30 storms in second study
Rainfall depth	0.10-1.64 in	0.18-2.44 in
Runoff volume	223-4095 gal (0.84-15.5 m ³)	2,065-61,131 gal(7.82-231 m ³)
Peak rainfall intensity (5 min)	1.2-5.4 in/h (3.0-13.7 cm)	0.24-4.68 in/h (0.61-11.9 cm)
Peak runoff flow rate	27.7-233 gpm (1.75-14.7 L/s)	68-1023 gpm (4.29-64.5 L/s)
Event median flow rate	2.4-21.4 gpm (0.15-1.35 L/s)	28-175 gpm (1.75-11.0 L/s)

* The UA data ranges cover the storms for both studies; ranges for individual studies might be narrower.

** This is the same as the time period between events, or time since it last rained a qualifying event.



Hydro International Up-Flo® Filter with CPZ™ Media Verification Statement

For the UF study, performance monitoring was conducted at the Reitz Union surface parking lot, which had a drainage area of 0.12-0.20 acres (0.049-0.081 ha), which was 76% impervious, depending on storm intensity and wind direction. The area generated a flow rate in excess of the 150 gpm (9.55 L/s) maximum treatment flow rate (MTFR) in 3 of the 16 storms. The 4-ft diameter (1.2 m) test unit was installed above ground in a temporary installation at the bottom of a hill sloping down from the lot. An inlet catch basin conveyed runoff from the parking lot through a Pashall flume into the filter. Monitoring occurred over a period of 12 months and the UF team recovered the captured mass at the end of the performance monitoring study. No maintenance was required or conducted during the year long monitoring period from 12 September 2015 through 1 September 2016.

The UA performance monitoring studies covered a total of 50 storms, but not all of them yielded useful data for all parameters. The site used in both cases was the Riverwalk parking lot near the Bama Belle in Tuscaloosa, Alabama. The drainage area was about 0.9 acres (0.36 ha), 68% impervious. The unit was installed in a 4 ft. (1.2 m) diameter below-grade catch basin inlet manhole on the site. Monitoring occurred in two stages of approximately 12 months each over a total of 32 months. The first round of testing occurred from July 16, 2010 to April 11, 2011 and the second from May 31st, 2012 to March 30th, 2013.

The UA performance monitoring study used autosamplers to generate the flow-weighted composite samples and the event mean concentration data. This data was used to calculate removal efficiencies. However, in the UF performance monitoring study, sediment removal performance was assessed by taking full cross section samples of the influent and effluent streams at regular intervals for the duration of the storm and combining the samples into flow-weighted composites. The data was converted into event mean concentrations for the purposes of calculating removals.

The following approved analytical methods were used:

- TSS – ASTM D2540
- SSC – ASTM D3977-97(2013) Standard Test Methods for Determining Sediment Concentration in Water Samples
- PSD – ASTM D422 – 63 Standard Test Method for Particle-Size Analysis of Soils and ASTM C136 Standard Test Method for Sieve Analysis of Fine and Coarse Aggregates
- PSD – ASTM 2560- C, D (UF used 2560D laser diffraction or light-scattering method and UA used 2560C Coulter Counter or light-blocking method)
- TP – S.M.4500-P-B Acid Hydrolysis
- TN – Persulfate Digestion Method
- Cu – EPA 200.8 Determination of Trace Elements in Waters and Wastes by Inductively Coupled Plasma – Mass Spectrometry
- Zn – EPA 200.8 Determination of Trace Elements in Waters and Wastes by Inductively Coupled Plasma – Mass Spectrometry

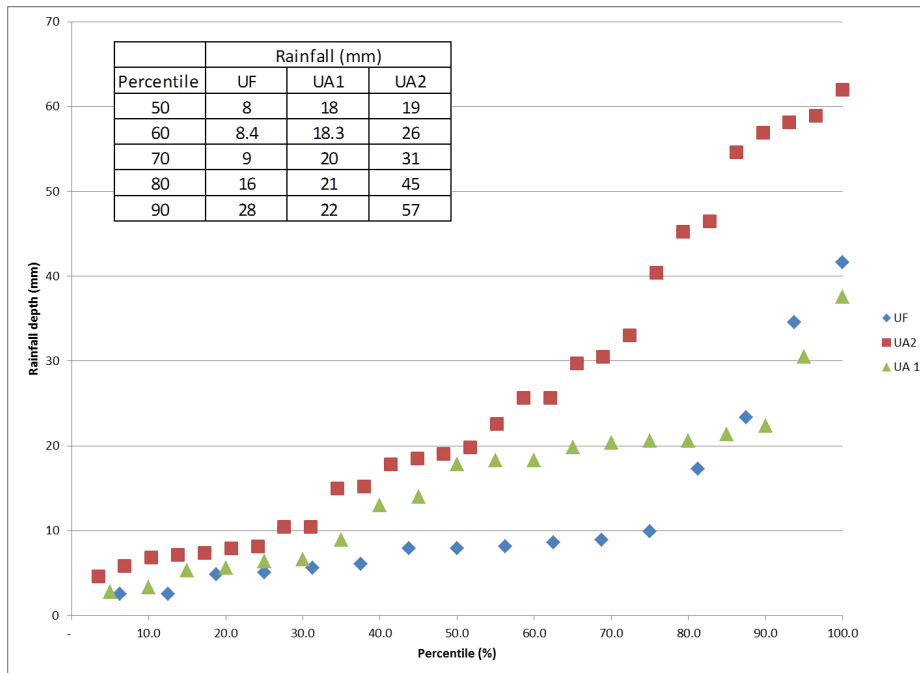
As part of the mass balance measurements, the UF team allowed all samples to sit for an hour and reported concentrations of suspended solids, measured using ASTM 2540D, as TSS, in addition to the usual SSC measurement using SM3977. In order to be able to report a TSS comparable to other performance monitoring studies, Dr. Sansalone developed a correlation equation for $TSS^* = f(SSC)$ as well as equations for the 95% confidence limits of TSS^* .

Summary of Verification Results

The cumulative frequency of rainfall depths monitored during the three performance monitoring studies is presented in Figure 2. The median rainfall depths in the three performance monitoring studies were 0.31, 0.71, and 0.75 inches (8, 18 & 19 mm) while the 90th percentile rainfall depths were 1.1, 0.9 and 2.2 inches (28, 22 and 57 mm). Thus the data presented covers a comparatively wide range of rain events.



Figure 2. Rainfall depth frequency curves



For UF monitoring, a total of 16 storm events, with varying rainfall intensity and runoff volume from event to event, were monitored. The cumulative rainfall depth was 7.66 inches (195 mm) and the cumulative influent runoff volume was 20,022 gallons (7.65 m³). The entire volume was treated by the Up-Flo® Filter system. Of the 16 storms treated, three storms generated flow rates exceeding the MTFR of 150 gpm (9.55 L/s) but there was no bypass, because the excess was not sufficient to top the overflow weir, and all sampled flows passed through the filtration media. Median driving head difference for an event never exceeded 13.1 inches (33.3 cm) and peak driving head difference never exceeded 27.1 inches (68.8 cm), which indicates the media was not occluded.

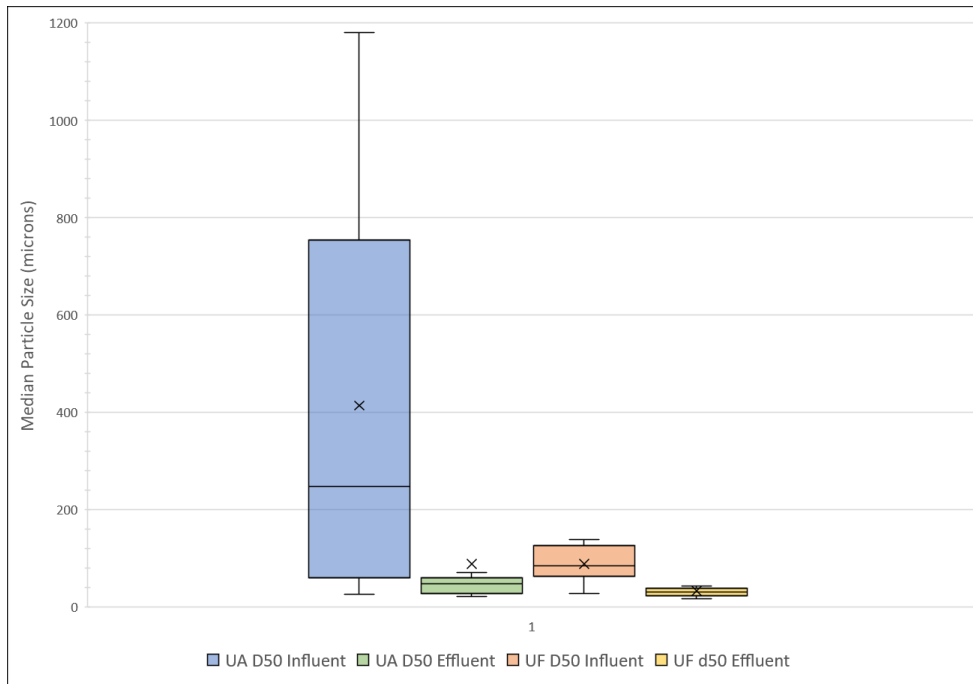
For the UA site, all of the storm events from May 31st, 2012 to March 30th, 2013 were monitored for flow but only 30 events were sampled. The total rainfall depth for this period was 49 inches (124.5 cm) or 982,192 gal. (3,718 m³) of runoff volume that was routed through the filter. Actual storm data from the monitoring period showed about 624,503 gal. (2,364 m³) of runoff (from about 30 inches or 76.2 cm of rainfall) was treated by the media filter system. This included about 28.5 % of bypass flow volume, which was sampled and included in the performance results. Given that the total bypassed volume was almost three times the expected bypass volume at the UA site, the UA results are considered conservative.

Influent particle sizes varied considerably between the two monitored locations and between storm events. Catchment characteristics and available sources, sampling methods (auto sampling vs. grab sampling), storm intensities, duration and volumes all influence the particle size range. The particle size analyses were completed for just the median particle size for each storm. A comparison of statistical descriptive values for influent and effluent median particle sizes for the two monitored sites is illustrated with the Whisker-Box-Plot shown in Figure 3.

Due to larger storm events and curbside erosion, the median UA influent particle size range and d₅₀ were substantially the larger of the two monitored sites. The interquartile range for the influent median particles sizes was 659 µm for UA compared to 59 µm for UF and the UA d₅₀ was 247 µm compared to 85 µm for UF. However, despite the influent particle size differences between locations, the median UA and UF effluent particle size range and d₅₀ were similar. The interquartile range for the effluent median particles sizes was 33 µm for UA compared to 13 µm for UF and the UA d₅₀ was 48 µm compared to 30 µm for UF.



Figure 3. UF and UA Summary of Influent and Effluent Median Particle Sizes



Summary statistics for the influent and effluent concentration removal efficiencies as well as the overall mass load reductions are shown in Table 4 and Table 5 for UF and UA, respectively.

While the flow weighted removal efficiency for TP and TN were 48% and 39%, respectively, TP and TN reduction tended to decrease with the overall volume treated. Results showed that if the filter maintenance cycle is limited to 6-8 months, the long-term load reduction for TP and TN would have been 50% and 70%, respectively.

Table 4: Up-Flo® Filter with CPZ™ Media Performance Testing - Summary statistics for influent and effluent event mean concentrations (EMCs) and the overall mass load reductions for selected constituents (UF Test)

Parameter	Sample Location	Min	Max	Median	SD	Mass Load Reduction
SSC	Influent	146	1584	487	360	92%
	Effluent	19.9	96.5	43.25	20.2	
TSS*	Influent	93.3	870	277	194	87%
	Effluent	25.0	66.4	37.6	10.9	
TP	Influent	0.79	6.05	1.9	1.70	48%
	Effluent	.56	2.19	1.1	0.56	
TN	Influent	.41	7.89	2.1	2.18	39%
	Effluent	.52	3.84	1.2	1.21	

**Hydro International Up-Flo® Filter with CPZ™ Media
Verification Statement**

Table 5. Up-Flo® Filter with CPZ™ Media Performance Testing - Summary statistics for influent and effluent event mean concentrations (EMCs) and the overall mass load reductions for selected constituents (JA Tests)

Parameter	Sample Location	Min	Max	Median	SD	Mass Load Reduction
SSC (mg/L)	Influent	23	879	88	166	86%
	Effluent	3	69	17	18	
TSS (mg/L)	Influent	11	571	89	128	87%
	Effluent	3	64	19	22	
Total Zn (µg/L)	Influent	7.0	157	22.0	0.71	59%
	Effluent	2.5*	72	14.0	0.68	
Total Cu (µg/L)	Influent	6	181	9	42	70%
	Effluent	1.3**	42	1.3	20.9	

* There was a single effluent value that was non-detect (ND). Since it was only 1 value ½ the detection limit 1.3 µg/L, was substituted when calculating statistics.

**The Cu data was highly censored (many non-detect, ND, effluents). Statistics were calculated by substituting ½ the detection limit, 1.3 µg/L, for all ND data then bootstrapping as usual.

As the independent third-party verifier, following the requirements of ISO 14034, GHIL has confirmed that:

- The Hydro International Up-Flo® Filter with CPZ™ Media is based on sound scientific and engineering principles, providing a net environmental benefit.
- Performance testing of the Hydro International Up-Flo® Filter with CPZ™ Media was based on defined parameters and was conducted following the requirements of the NJDEP TARP Tier II Protocol for Stormwater Best Management Practice Demonstrations (2003) and its 2006 and 2009 amendments.
- Performance testing of the Hydro International Up-Flo® Filter with CPZ™ Media was performed by a qualified testing organization.
- Sample analyses were carried out as part of the test plan by a third-party analytical laboratory in a manner that meets the quality requirements of ISO 17025. Operating conditions and performance during each testing run were documented.
- Frequency of sampling and duration of each performance test were determined based on the specifications in a credible test plan and the requirements to produce sufficient data to support the performance claim at a 95% confidence level.
- Performance measurements and calculations were based on the technology application and relevant performance parameters as outlined in the Verification Plan.
- Performance calculations were done according to generally accepted test methods described in the test design, including the applicable mathematical and statistical principles and procedures.
- Data storage, transfer and control were adequate, carried out in accordance with the intent of ISO 9001 enabling control and retrieval of documents and records.
- Quality assurance requirements were addressed throughout the performance testing process and in the generation of performance test results. This confirmation included reviewing all data sheets and data downloads, as well as overall management of test system quality.

Quality Assurance

Performance testing and verification of the Hydro International Up-Flo® Filter with CPZ™ Media were performed in accordance with the requirements of ISO 14034:2016 and the VerifiGlobal Performance Verification Protocol. The verifier, Good Harbour Laboratories, has confirmed that quality assurance requirements were addressed throughout the performance testing process and in the generation of performance test results. This includes reviewing all data sheets and data downloads, as well as overall management of the test system, quality control and data integrity.



Hydro International Up-Flo® Filter with CPZ™ Media Verification Statement

References

Technology Acceptance Reciprocity Partnership (TARP) Protocol and New Jersey Department of Environmental Protection (NJDEP amendments to the TARP Protocol, dated August 5, 2009 and Revised December 5th, 2009

“Development and Testing of Protocols for Evaluating Emerging Technologies for the treatment of Stormwater”, Noboru Togawa, Dissertation, Department of Civil, Construction, Construction, and Environmental Engineering, Graduate School of the University Of Alabama, Tuscaloosa, Alabama, 2011.

“Up-Flo® Filter Verification Testing, Quality Assurance Project Plan, Bama Belle Field Verification Test Site”, Tuscaloosa, AL, Hydro International, July 2012.

“Full-Scale Up-Flo® Filter Field Performance Verification Tests”, Department of Civil, Construction, and Environmental Engineering University of Alabama, Tuscaloosa, AL 35487 USA - December 26, 2013.

“NJCAT Technology Verification Up-Flo® Filter”, January 2015.

Hydro International Up-Flo® Filter with CPZ™ Media Specifications, Hydro International.

Up-Flo® Filter with CPZ™ Media - Performance Claims submitted by Hydro International, 2018-05-15.

“Physical Model Testing and Monitoring of a Hydro International (HI) Up-Flo® Filter Subject to Rainfall-Runoff Loading Events”, University of Florida Engineering School of Sustainable Infrastructure and Environment (ESSIE), University of Florida, Gainesville, FL 32611 USA - Version 7-12-17.

Particulate Matter Fraction Analyses. (Sansalone & Kim: Transport of Particulate Matter Fractions in Runoff, Journal of Environmental Quality • Volume 37 • September–October 2008)

New Jersey Department of Environmental Protection Laboratory Protocol to Assess Total Suspended Solids Removal by a Filtration Manufactured Treatment Device, January 2013

2009 Urban Stormwater BMP Performance Monitoring Guidelines
<http://www.bmpdatabase.org/contacts.html>

Description of Up-Flo® Filter

Up-Flo® Filter Design Manual https://www.hydroint.com/sites/default/files/uff_dg_nashville_f1504.pdf

Up-Flo® Filter Verification Brochure

ISO/IEC 14034, Environmental management – Environmental technology verification

ISO/IEC 17025, General requirements for the competence of testing and calibration laboratories

ISO/IEC 9001, Quality Management Systems.

VerifiGlobal Performance Verification Protocol (Applying ISO 14034:2016)

VerifiGlobal Test Body Assessment – Guidance (2018)



What is ISO 14034?

The purpose of environmental technology verification is to provide a credible and impartial account of the performance of environmental technologies. Environmental technology verification is based on a number of principles to ensure that verifications are performed and reported accurately, clearly, unambiguously and objectively. The International Organization for Standardization (ISO) standard for environmental technology verification (ETV) is ISO 14034, which was published in November 2016.

Benefits of ETV

ETV contributes to protection and conservation of the environment by promoting and facilitating market uptake of innovative environmental technologies, especially those that perform better than relevant alternatives. ETV is particularly applicable to those environmental technologies whose innovative features or performance cannot be fully assessed using existing standards. Through the provision of objective evidence, ETV provides an independent and impartial confirmation of the performance of an environmental technology based on reliable test data. ETV aims to strengthen the credibility of new, innovative technologies by supporting informed decision-making among interested parties.

For more information on the Hydro International Up-Flo® Filter, contact:	For more information on VerifiGlobal, contact:
Hydro International 94 Hutchins Drive, Portland, ME USA 04102 t +1 (207) 756 6200 e: TechSupport@hydro-int.com w: www.hydro-int.com	VerifiGlobal c/o ETA-Danmark A/S Göteborg Plads 1, DK-2150 Nordhaven t +45 7224 5900 e: info@verifiglobal.com w: www.verifiglobal.com
Signed for Hydro International: <i>Original signed by:</i> <i>Phillip Taylor</i> Phillip Taylor Technical Product Manager, Americas Stormwater	Signed for VerifiGlobal: <i>Original signed by:</i> <i>Thomas Bruun</i> Thomas Bruun, Managing Director <i>Original signed by:</i> <i>John Neate</i> John Neate, Managing Director

NOTICE: Verifications are based on an evaluation of technology performance under specific, predetermined operational conditions and parameters and the appropriate quality assurance procedures. VerifiGlobal and the Verification Expert, Good Harbour Laboratories, make no expressed or implied warranties as to the performance of the technology and do not certify that a technology will always operate as verified. The end user is solely responsible for complying with any and all applicable regulatory requirements. Mention of commercial product names does not imply endorsement.

VerifiGlobal and the Verification Expert, Good Harbour Laboratories, provide the verification services solely on the basis of the information supplied by the applicant or vendor and assume no liability thereafter. The responsibility for the information supplied remains solely with the applicant or vendor and the liability for the purchase, installation, and operation (whether consequential or otherwise) is not transferred to any other party as a result of the verification.